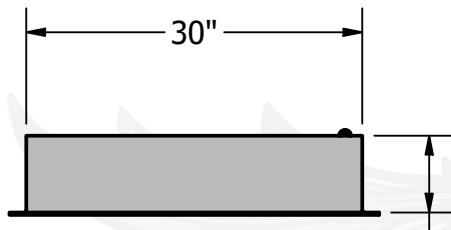




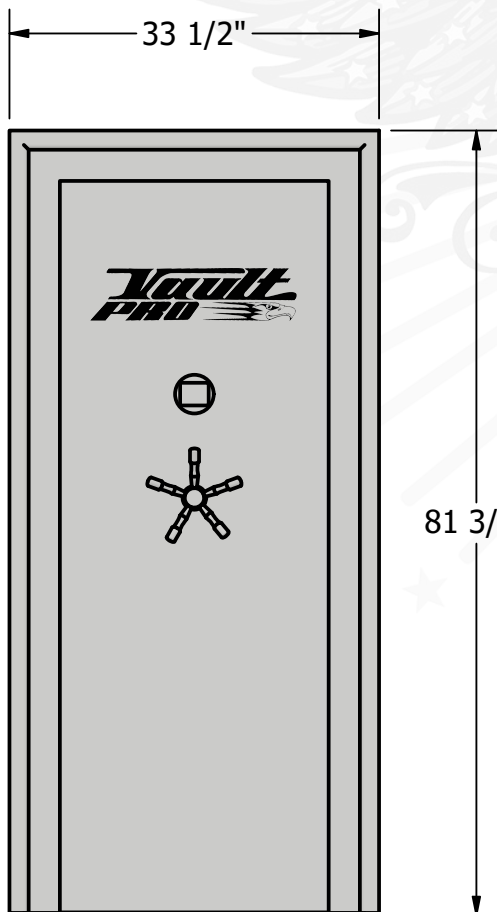
Top View



**Vault Pro  
In-swing Door  
80" Height x 30" Width**

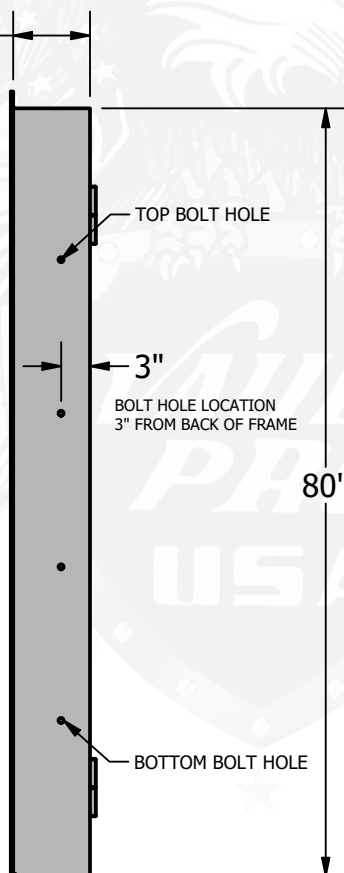
Recommended Rough Opening  
81"H x 30½"W

DRAWING NOT TO SCALE



Front View

SHIM HERE  
IF NEEDED



Right Side View

**Vault Door Installation Instructions**

Place the butt end of the door frame into the wall opening leaving the flange around 3" from touching the wall.

Place a ½" bead of Fire Caulking or Silicone Caulking against the wall where the back side of the flange will be pressed against the wall.

Press door & frame against the wall.

If needed, use shims under the threshold below the frame uprights in order to level the door & frame.

**Set top & Bottom Anchors on Hinge Side First**

Place 4' Magnetic Level on hinge side flange and manipulate the frame into plumb.

Drill thru the top hole on the frame into the wall (4" recommended) and set the anchor. Install washer & nut and hand tighten.

Double Check for plumb and drill thru the bottom hole of the frame into the wall (4" recommended) and set your bottom anchor. Install washer & nut and hand tighten.

**Set Top & Bottom Anchors on Opening or Strike Side**

Move Magnetic Level to the Opening Side/Strike Side flange and manipulate the frame into plumb.

Drill thru the top hole on the frame into the wall (4" recommended) and set the top anchor into the previously drilled hole. Install washer & nut and hand tighten.

Double Check for plumb and drill thru the bottom hole of the frame into the wall (4" recommended) and set your bottom anchor into the previously drilled hole. Install washer & nut and hand tighten.

Check frame for square by placing a square at the top on both sides and the bottom on both sides.

Once frame is squared and the door opens and closes properly without rubbing the frame, drill and set the rest of the anchors on each side, install the washers and tighten the nuts. Finally, drill and set the anchors at the top, install the washers and tighten the nuts.

Clean up caulking/sealant that squeezed out between the flange and the wall (add some if needed). Seal around the threshold inside and out.

Wipe down door & frame using soft, clean rags.

DRAWN Vault Pro		<b>Vault Pro USA</b> <b>(800) 299-6929</b>
DATE 5/5/2024		
REV	<b>Vault Door Installation - In-swing</b> <b>80"H x 30"W</b>	
SHEET 1 OF 1		

